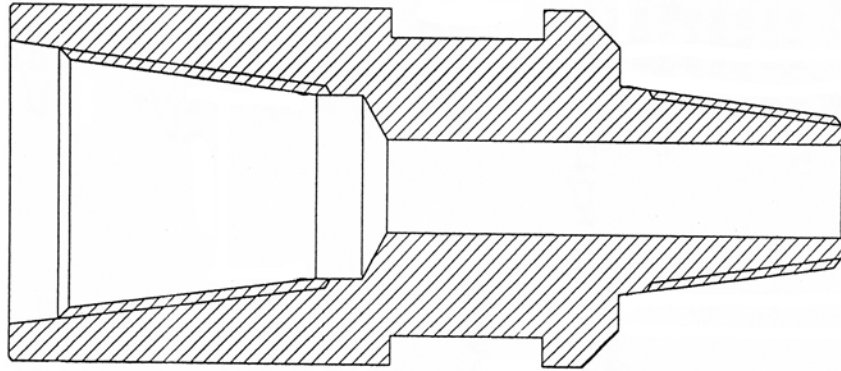


Adaptors

Chenalord
drilling supplies





Adaptors

Part No. Description

2 3/8" Regular Adaptors

| | |
|-----------|---|
| 238PP | 2 3/8" Reg Pin - Reg Pin |
| 238PHP | 2 3/8" Reg Pin - Holman Pin |
| 238PHB | 2 3/8" Reg Pin - Holman Box |
| 238PHAP | 2 3/8" Reg Pin - Halco Pin |
| 238PHAB | 2 3/8" Reg Pin - Halco Box |
| 238P212ZB | 2 3/8" Reg Pin - 2 1/2" Z Thd Box |
| 238BB3.1 | 2 3/8" Reg Box - Box 3.1" Diameter Body |
| 238BB3.5 | 2 3/8" Reg Box - Box 3 1/2" Diameter Body |

Part No. Description

| | |
|-----------|--------------------------------------|
| 238BHP | 2 3/8" Reg Box - Holman Pin |
| 238BHB | 2 3/8" Reg Box - Holman Box |
| 238BHAP | 2 3/8" Reg Box - Halco Pin |
| 238BHAB | 2 3/8" Reg Box - Halco Box |
| 238BNWYB | 2 3/8" Reg Box - N/WY Box |
| 238BNWYP | 2 3/8" Reg Box - N/WY Pin |
| 238B2ZP | 2 3/8" Reg Box - 2" Z Thread Pin |
| 238B212ZP | 2 3/8" Reg Box - 2 1/2" Z Thread Pin |

2 7/8" Regular Adaptors

| | |
|------------|---------------------------------|
| 278B238P | 2 7/8" Reg Box - 2 3/8" Reg Pin |
| 278P238B | 2 7/8" Reg Pin - 2 3/8" Reg Box |
| 278B238B | 2 7/8" Reg Box - 2 3/8" Reg Box |
| 278B278IFB | 2 7/8" Reg Box - 2 7/8" I/F Box |

3 1/2" Regular Adaptors

| | |
|--------------|--|
| 312P278B | 3 1/2" Reg Pin - 2 7/8" Reg Box |
| 312PHP | 3 1/2" Reg Pin - Holman Pin |
| 312P238B | 3 1/2" Reg Pin - 2 3/8" Reg Box |
| 312PP | 3 1/2" Reg Pin - Pin |
| 312P2ZB4 | 3 1/2" Reg Pin - 2" Z Thread Box 4" diameter |
| 312P212ZB4 | 3 1/2" Reg Pin - 2 1/2" Z Thread Box 4" diameter |
| 312P212ZB412 | 3 1/2" Reg Pin - 2 1/2" Z Thread Box 4 1/2" diameter |
| 312B238P312 | 3 1/2" Reg Box - 2 3/8" Reg Pin 3 1/2" Rods |

Adaptors

| Part No. | Description |
|---|---|
| 312B238P3 | 3 1/2" Reg Box - 2 3/8" Reg Pin 3" Rods |
| 312B238B | 3 1/2" Reg Box - 2 3/8" Reg Box |
| 312B278P | 3 1/2" Reg Box - 2 7/8" Reg Pin |
| 312B278B | 3 1/2" Reg Box - 2 7/8" Reg Box |
| 312BB | 3 1/2" Reg Box - 3 1/2" Reg Box |
| 312B231FB | 3 1/2" Reg Box - 2 3/8" I/F Box |
| 312B231FP | 3 1/2" Reg Box - 2 3/8" I/F Pin |
| 312BNWYB | 3 1/2" Reg Box - NWY Box |
| 4 1/2" Regular & 4 1/2" I/F Adaptors | |
| 412B312B | 4 1/2" Reg Box - 3 1/2" Reg Box |
| 412IFB312IFP | 4 1/2" I/F Box - 3 1/2" I/F Pin |
| 412B312P | 4 1/2" Reg Box - 3 1/2" Reg Pin |
| 412IFB312B | 4 1/2" I/F Box - 3 1/2" Reg Box |
| 6 5/8" Regular Adaptors | |
| 658B412P | 6 5/8" Reg Box - 4 1/2" Reg Pin |
| 658B312P | 6 5/8" Reg Box - 3 1/2" Reg Pin |
| 2 3/8" I/F Adaptors | |
| 238IFB238P | 2 3/8" I/F Box - 2 3/8" Reg Pin |
| 238IFB238B | 2 3/8" I/F Box - 2 3/8" Reg Box |
| 238IFP238B | 2 3/8" I/F Pin - 2 3/8" Reg Box |

| Part No. | Description |
|------------------------------------|------------------------|
| Holman & Halco Adaptors | |
| HBHAP | Holman Box - Halco Pin |
| HPHAB | Holman Pin - Halco Box |
| NWY Adaptors | |
| NWYBHAP | NWY Box - Halco Pin |
| NWYBHP | NWY Box - Holman Pin |

These are samples of our most popular thread connections. Items can also be manufactured to customer's requirements and a large variety of different threads are available on request.





Adaptors

Chenalord
drilling supplies



Unit 3, Turnoaks Industrial Estate, Burley Close, off Storforth Lane, Birdholme, Chesterfield S40 2HA

T +44 (0)1246 208745

F +44 (0)1246 277227

E enquiries@chenalord.co.uk

W www.chenalord.com